

Nerezové koncovky Stainless steel connections



Funkcie

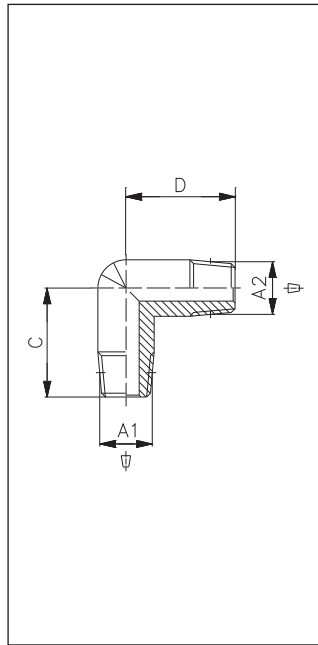
Koncovky z nerezovej ocele
Pre náročné aplikácie

- ▶ Pure stainless steel fitting
- ▶ For challenging applications

Technické údaje **Technical data**

Pracovná teplota	-20°C až +150°C
Pracovný tlak	až 150bar
Materiály	Koncovky z nerezovej ocele 1.4404 (AISI 316L) Tesnenie FKM
Závit	DIN 3852 DIN 3858
Aplikácia	Pneumatika, potravinársky, chemický a farmaceutický priemysel

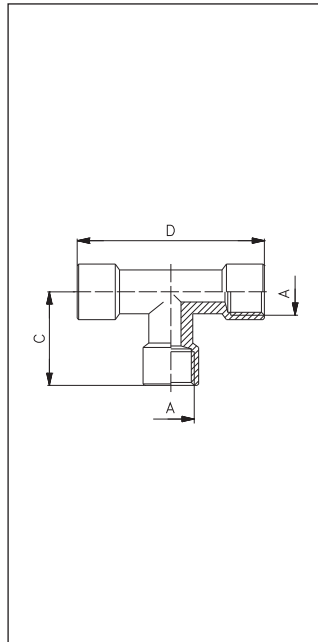
Operating temperature	-20°C bis +150°C
Operating pressure	Up to 150 bar
Materials	Fittings made of stainless steel 1.4404 (AISI 316L) Seals made of FKM
Thread	DIN 3852 DIN 3858
Application	Pneumatics, food industry, chemical and pharmaceutical industry



L kus s kuželovým závitem

Male elbow, con.

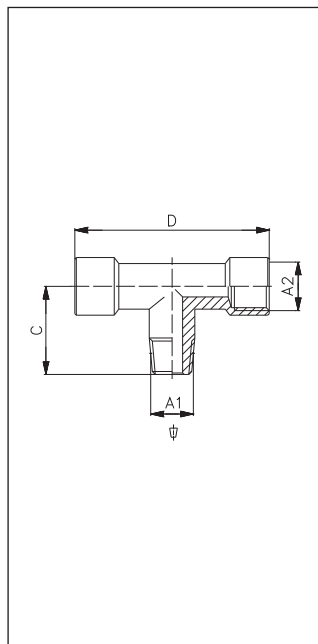
VT	A ₁	A ₂	C	D
50002-ES	R ¹ / ₈	R ¹ / ₈	17	17
50003-ES	R ¹ / ₄	R ¹ / ₄	21	21
50004-ES	R ³ / ₈	R ³ / ₈	24	24
50005-ES	R ¹ / ₂	R ¹ / ₂	30	30



T-kus

Female T

VT	A	C	D
40003-ES	G ¹ / ₈	19	38
40004-ES	G ¹ / ₄	23	46
40005-ES	G ³ / ₈	25,5	51
40006-ES	G ¹ / ₂	32	64

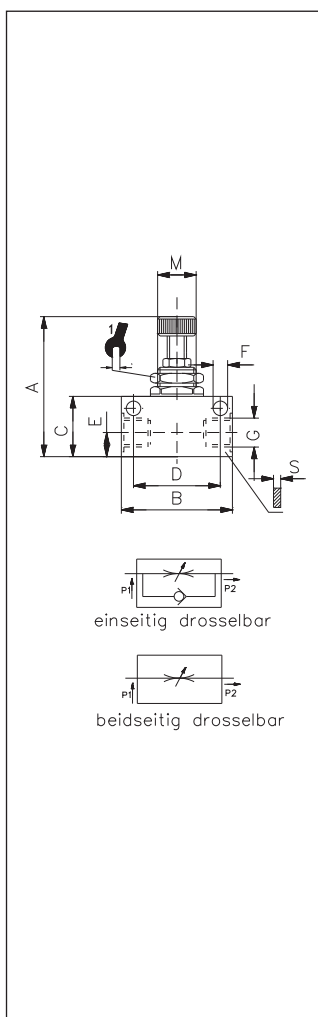


T- kus s kuželovým závitem zdola

Centre male T, con.

fluid division
VT-HADICE & PLAST

VT	A ₁	A ₂	C	D
40402-ES	R ¹ / ₈	G ¹ / ₈	18	38
40403-ES	R ¹ / ₄	G ¹ / ₄	25,5	46
40404-ES	R ³ / ₈	G ³ / ₈	24	51
40405-ES	R ¹ / ₂	G ¹ / ₂	30	64

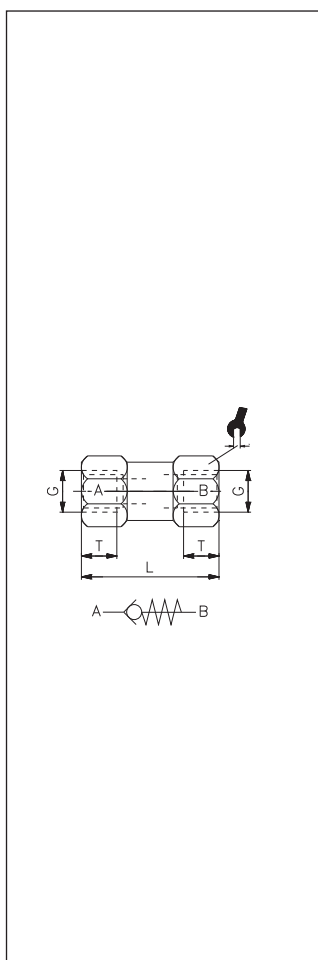


Regulátor vzduchu

Line flow control

VT	G	A	B	C	D	E
304031-ES	G _{1/8}	56	34	21	24	8
304032-ES	G _{1/4}	75	50	30	35	12

VT	G	F	M	S	
304031-ES	G _{1/8}	4,5	12x0,75	16	15
304032-ES	G _{1/4}	6,5	18x1,5	25	22



Spätňý ventil

Non-return valve

Rozsah tlaku:
2-10bar (Pressure range)

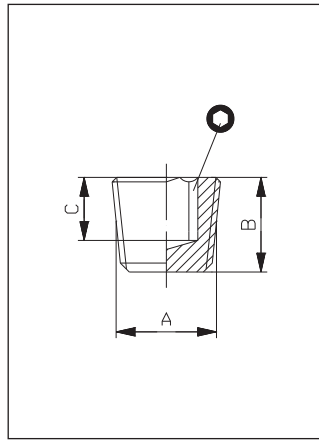
Otvací tlak: ca. 0,2bar
(Opening pressure)

Pracovní teplota: -10°C až 150°C
(Working temperature)

Materialový povrch/ body: AISI 316L
Feder/ spring: AISI 302
O-Ring: FKM

fluid division
VT-HADICE & PLAST

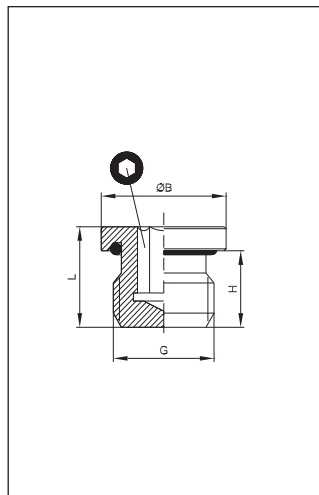
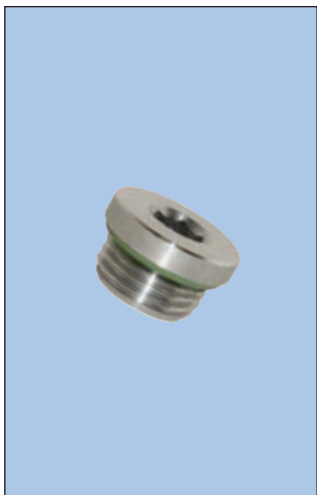
VT	G	T	L	NI/min*	
304052-ES	G _{1/8}	8	40	900	13
304053-ES	G _{1/4}	9	48	2200	16



Zátka s kuželovým závitem

Plug, con.

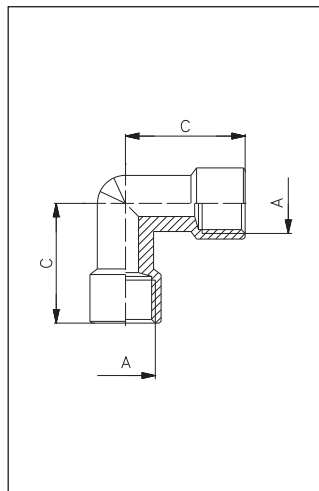
VT	A	B	C	Ø
401742-ES	R ¹ / ₈	7,5	6	5
401743-ES	R ¹ / ₄	11	8	6
401744-ES	R ³ / ₈	11,5	8	10
401745-ES	R ¹ / ₂	14	9,5	10



Zátka s O krúžkom

Male plug with O-ring

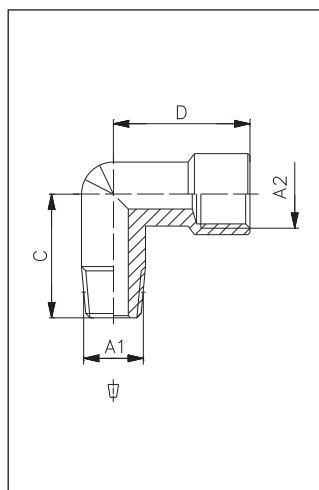
VT	G	H	ØB	L	Ø
30152-ES	G ¹ / ₈	5	13	7,5	5
30153-ES	G ¹ / ₄	6,5	16	9,5	6
30154-ES	G ³ / ₈	7	20	10	8
30155-ES	G ¹ / ₂	8,5	25	12	10



L kus

Female elbow

VT	A	C
50102-ES	G ¹ / ₈	19
50103-ES	G ¹ / ₄	23
50104-ES	G ³ / ₈	25,5
50105-ES	G ¹ / ₂	32

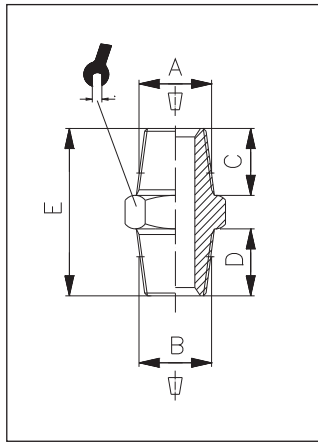


L kus

Male-female elbow, con.

fluid division
VT-HADICE & PLAST

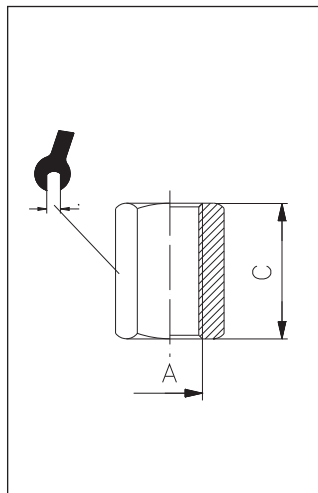
VT	A ₁	A ₂	C	D
50202-ES	R ¹ / ₈	G ¹ / ₈	18	19
50203-ES	R ¹ / ₄	G ¹ / ₄	25	23
50204-ES	R ³ / ₈	G ³ / ₈	24	25,5
50205-ES	R ¹ / ₂	G ¹ / ₂	30	32



Spojka s kuželovým závitom

Nipple, taper

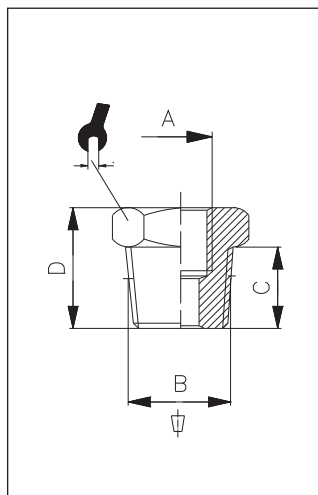
VT	A	B	C	D	E	⌘
20002-ES	R $\frac{1}{8}$	R $\frac{1}{8}$	7,5	7,5	20	12
20202-ES	R $\frac{1}{8}$	R $\frac{1}{4}$	7,5	11	23,5	14
20003-ES	R $\frac{1}{4}$	R $\frac{1}{4}$	11	11	27	14
20205-ES	R $\frac{1}{4}$	R $\frac{3}{8}$	11	11,5	27,5	17
20004-ES	R $\frac{3}{8}$	R $\frac{3}{8}$	11,5	11,5	28	17
20207-ES	R $\frac{3}{8}$	R $\frac{1}{2}$	11,5	14	31,5	22
20005-ES	R $\frac{1}{2}$	R $\frac{1}{2}$	14	14	34	22



Spojka (Mufka)

Sleeve

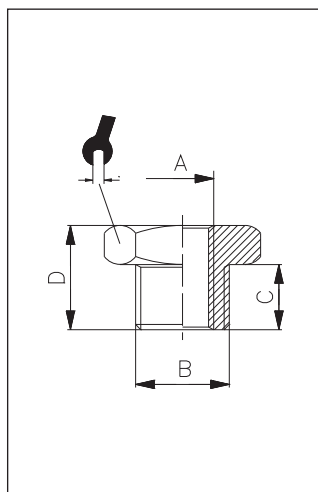
VT	A	C	⌘
30002-ES	G $\frac{1}{8}$	15	14
30003-ES	G $\frac{1}{4}$	22	17
30004-ES	G $\frac{3}{8}$	24	22
30005-ES	G $\frac{1}{2}$	30	27



Redukcia

Reducer, taper

VT	A	B	C	D	⌘
20801-ES	G $\frac{1}{8}$	R $\frac{1}{4}$	11	16	14
20802-ES	G $\frac{1}{8}$	R $\frac{3}{8}$	11,5	16,5	17
20804-ES	G $\frac{1}{4}$	R $\frac{3}{8}$	11,5	16,5	17
20805-ES	G $\frac{1}{4}$	R $\frac{1}{2}$	14	19,5	22
20806-ES	G $\frac{3}{8}$	R $\frac{1}{2}$	14	19,5	22



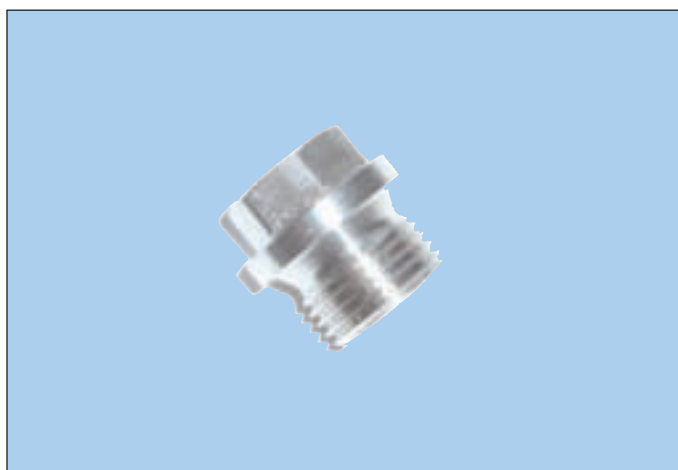
Redukcia

Reducer, taper

VT	A	B	C	D	⌘
20902-ES	M5	G $\frac{1}{8}$	6	10,5	14
20903-ES	G $\frac{1}{8}$	G $\frac{1}{4}$	8	13	17
20905-ES	G $\frac{1}{4}$	G $\frac{3}{8}$	9	14	19

fluid division
VT-HADICE & PLAST

Nerezové koncovky Stainless steel fittings



Funkcie

- ▶ vysoké požiadaky vzťahujú sa na nerez
- ▶ pre rôzne aplikácie
- ▶ pre pripojenie od 1/8" do 2"

- ▶ High requirements covered due to stainless steel
- ▶ For various applications
- ▶ For connections from 1/8" to 2"

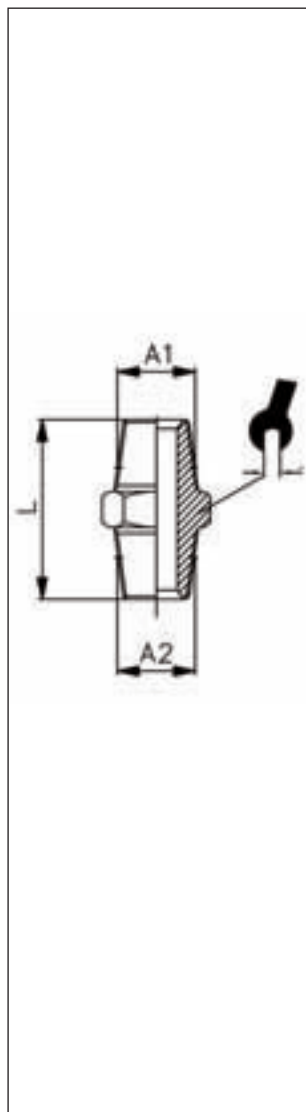
Technické údaje **Technical data**

Pracovní teplota	max. +200°C
Pracovní tlak	až 100bar
Materiály	Nerez AISI 316 1.4401
Závit	DIN 3852 DIN 3858

Operating temperature	Max +200°C
Operating pressure	Up to 100 bar
Materials	Stainless steel AISI 316 1.4401
Thread	DIN 3852 DIN 3858

Kužel'ová spojka

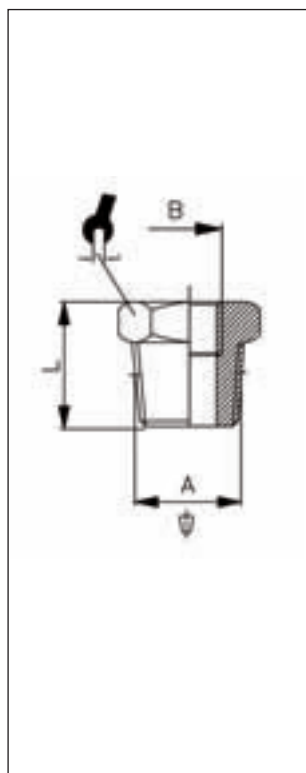
Double nipple, con.



VT	A1	A2	L		
82002	R ^{1/8}	R ^{1/8}	17	13	20
82003	R ^{1/4}	R ^{1/4}	25	15	20
82004	R ^{3/8}	R ^{3/8}	26	20	20
82005	R ^{1/2}	R ^{1/2}	34	23	20
82006	R ^{3/4}	R ^{3/4}	36	30	10
82007	R1	R1	43	36	10
82008	R1 ^{1/4}	R1 ^{1/4}	48	45	5
82009	R1 ^{1/2}	R1 ^{1/2}	48	50	5
82010	R2	R2	56	62	5

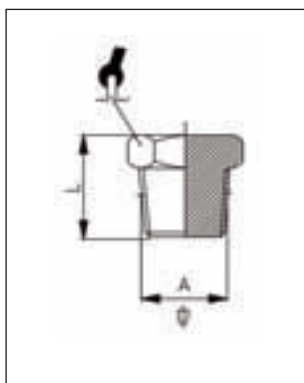
Redukcia | reduced

82202	R ^{1/4}	R ^{1/8}	31	16	20
82203	R ^{3/8}	R ^{1/4}	34	20	20
82204	R ^{1/2}	R ^{1/4}	36	23	20
82205	R ^{1/2}	R ^{3/8}	36	23	20
82206	R ^{3/4}	R ^{1/4}	41	28	20
82207	R ^{3/4}	R ^{3/8}	41	28	20
82208	R ^{3/4}	R ^{1/2}	41	28	20
82210	R1	R ^{3/8}	42	36	10
82211	R1	R ^{1/2}	42	36	10
82212	R1	R ^{3/4}	42	36	10
82214	R1 ^{1/4}	R ^{1/2}	53	46	5
82215	R1 ^{1/4}	R ^{3/4}	53	46	5
82216	R1 ^{1/4}	R1	53	46	5
82218	R1 ^{1/2}	R ^{1/2}	53	51	5
82219	R1 ^{1/2}	R ^{3/4}	53	51	5
82220	R1 ^{1/2}	R1	53	51	5
82221	R1 ^{1/2}	R1 ^{1/4}	53	51	5
82222	R2	R ^{1/2}	64	53	5
82223	R2	R ^{3/4}	64	53	5
82224	R2	R1	64	53	5
82225	R2	R1 ^{1/4}	64	53	5
82226	R2	R1 ^{1/2}	64	53	5
82228	R2 ^{1/2}	R1 ^{1/2}	64	53	5
82229	R2 ^{1/2}	R2	64	53	5



Redukcia | Reducer

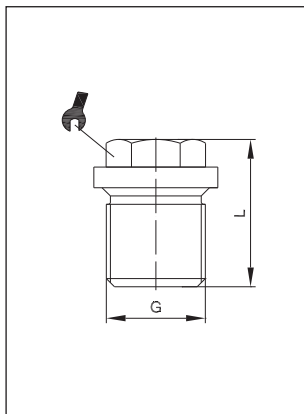
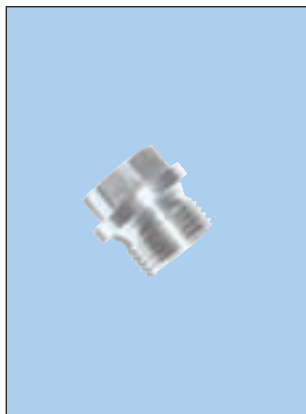
VT	A	B	L		
82801	R ^{1/4}	G ^{1/8}	17	17	20
82802	R ^{3/8}	G ^{1/4}	18,5	21	20
82803	R ^{1/2}	G ^{1/4}	21	26	20
82804	R ^{1/2}	G ^{3/8}	21	26	20
82805	R ^{3/4}	G ^{1/4}	24	30	20
82806	R ^{3/4}	G ^{3/8}	24	30	20
82807	R ^{3/4}	G ^{1/2}	24	30	20
82808	R1	G ^{1/4}	27,5	38	10
82809	R1	G ^{3/8}	27,5	38	10
82810	R1	G ^{1/2}	27,5	38	10
82811	R1	G ^{3/4}	27,5	38	10
82812	R1 ^{1/4}	G ^{3/8}	30	46	10
82813	R1 ^{1/4}	G ^{1/2}	30	46	10
82814	R1 ^{1/4}	G ^{3/4}	30	46	10
82815	R1 ^{1/4}	G1	30	46	10
82816	R1 ^{1/2}	G ^{3/8}	30,5	52	5
82817	R1 ^{1/2}	G ^{1/2}	30,5	52	5
82818	R1 ^{1/2}	G ^{3/4}	30,5	52	5
82819	R1 ^{1/2}	G1	30,5	52	5
82820	R1 ^{1/2}	G1 ^{1/4}	30,5	52	5
82821	R2	G1 ^{1/2}	33,5	64	5
82822	R2	G ^{3/4}	33,5	64	5
82823	R2	G1	33,5	64	5
82824	R2	G1 ^{1/4}	33,5	64	5



Zátka

Plug

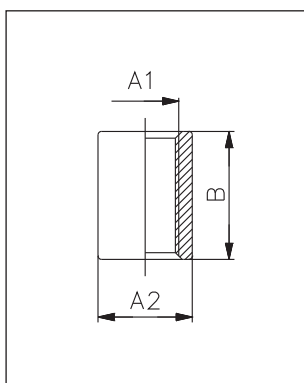
VT	A	L		
83252	G $\frac{1}{8}$	15	12	20
83253	G $\frac{1}{4}$	18	14	20
83254	G $\frac{3}{8}$	19	17	20
83255	G $\frac{1}{2}$	22	22	20
83256	G $\frac{3}{4}$	25	27	10
83257	G1	28	36	10
83258	G1 $\frac{1}{4}$	30	46	10
83259	G1 $\frac{1}{2}$	30	50	10
83260	G2	35	65	10



Zátka DIN 910

Male plug cyl. DIN 910

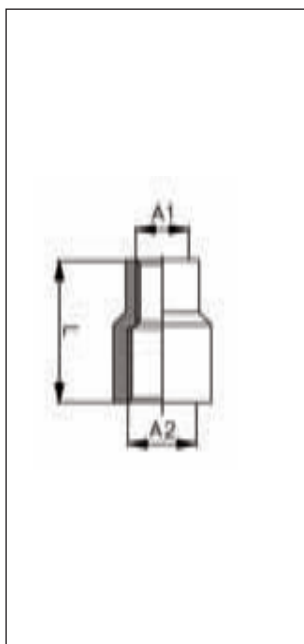
VT	G	L		
83222	G $\frac{1}{8}$	17	10	20
83223	G $\frac{1}{4}$	17	13	20
83224	G $\frac{3}{8}$	17	17	20
83225	G $\frac{1}{2}$	22	19	20
83226	G $\frac{3}{4}$	26	24	10
83227	G1	32	27	10
83228	G1 $\frac{1}{4}$	33	30	10
83229	G1 $\frac{1}{2}$	33	34	10
83230	G2	40	36	10



Spojka Mufka

Sleeve

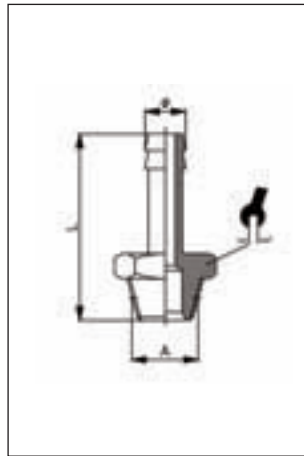
VT	A1	A2	B	
83002	G $\frac{1}{8}$	14	17	20
83003	G $\frac{1}{4}$	17,5	25	20
83004	G $\frac{3}{8}$	21,3	26	20
83005	G $\frac{1}{2}$	26,4	34	10
83006	G $\frac{3}{4}$	31,8	36	10
83007	G1	39,5	43	10
83008	G1 $\frac{1}{4}$	48,3	48	10
83009	G1 $\frac{1}{2}$	54,5	48	10
83010	G2	66,3	56	10



Redukcia

Reducer

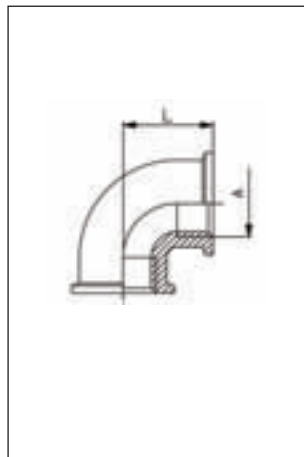
VT	A1	A2	L	
83102	G $\frac{1}{8}$	G $\frac{1}{4}$	29	20
83103	G $\frac{1}{4}$	G $\frac{3}{8}$	29	20
83104	G $\frac{1}{4}$	G $\frac{1}{2}$	29	20
83105	G $\frac{3}{8}$	G $\frac{1}{2}$	29	20
83107	G $\frac{3}{8}$	G $\frac{3}{4}$	34	10
83108	G $\frac{1}{2}$	G $\frac{3}{4}$	34	10
83109	G $\frac{1}{4}$	G1	42	10
83110	G $\frac{3}{8}$	G1	42	10
83111	G $\frac{1}{2}$	G1	42	10
83112	G $\frac{3}{4}$	G1	42	10
83113	G $\frac{3}{8}$	G1 $\frac{1}{4}$	48	10
83114	G $\frac{1}{2}$	G1 $\frac{1}{4}$	48	10
83115	G $\frac{3}{4}$	G1 $\frac{1}{4}$	48	10
83116	G1	G1 $\frac{1}{4}$	48	5
83118	G $\frac{1}{2}$	G1 $\frac{1}{2}$	54	5
83119	G $\frac{3}{4}$	G1 $\frac{1}{2}$	54	5
83120	G1	G1 $\frac{1}{2}$	54	5
83121	G1 $\frac{1}{4}$	G1 $\frac{1}{2}$	54	5



Hadicový nátrubok s kuž. závitem

Male hose adapter

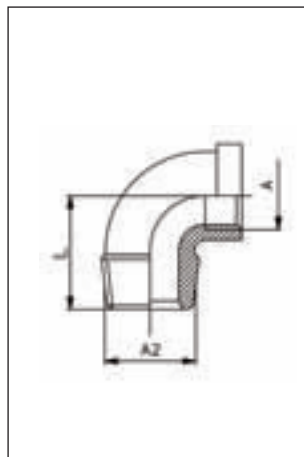
VT	A	Ø	L		
83403	R ^{1/8}	7	46	15	20
83404	R ^{1/4}	9	46	15	20
83405	R ^{3/8}	9	53	19	20
83406	R ^{1/2}	15	63	23	10
83407	R ^{3/4}	20	65	29	10
83408	R1	25	69	37	10
83409	R1 ^{1/4}	35	73	45	10
83410	R1 ^{1/2}	40	86	51	10
83411	R2	54	94	63	10



Koleno 90° I-I

Elbow 90° F-F

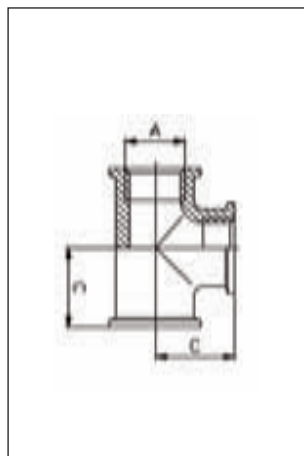
VT	A	L	
85102	G ^{1/8}	18	20
85103	G ^{1/4}	21	20
85104	G ^{3/8}	25	20
85105	G ^{1/2}	28	10
85106	G ^{3/4}	33	10
85107	G1	38	10
85108	G1 ^{1/4}	45	10
85109	G1 ^{1/2}	50	10
85110	G2	58	10



Koleno 90° I-A

Elbow 90° F-M

VT	A	A2	L	
85202	G ^{1/8}	R ^{1/8}	19	20
85203	G ^{1/4}	R ^{1/4}	21,5	20
85204	G ^{3/8}	R ^{3/8}	24,5	20
85205	G ^{1/2}	R ^{1/2}	29	10
85206	G ^{3/4}	R ^{3/4}	33,5	10
85207	G1	R1	38	10
85208	G1 ^{1/4}	R1 ^{1/4}	43	10
85209	G1 ^{1/2}	R1 ^{1/2}	47	10
85210	G2	R2	57,5	10



T-kus IG

Female T

VT	A	C	
84003	G ^{1/4}	21	15
84004	G ^{3/8}	25	15
84005	G ^{1/2}	28	10
84006	G ^{3/4}	33	10
84007	G1	38	10
84008	G1 ^{1/4}	45	10
84009	G1 ^{1/2}	50	10
84010	G2	58	10